



Septic tank HZ. SP/RW CE

HZ. SP/RW 2.400L CE
974,00 €

HZ. SP/RW 3.300L CE
1.406,00 €

HZ. SP/RW 6.000L CE
1.864,00 €

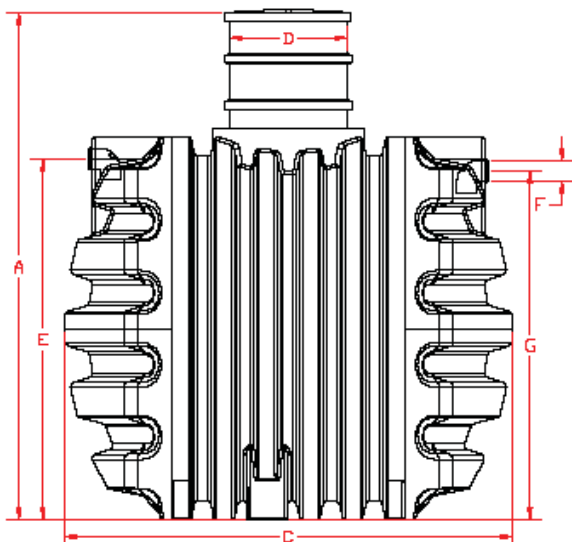


TECHNICAL FILE

Volume	A	B	C	D	E	F	G	Kg	Riser
SP 2.400 L	1.950	1.350	2.350	600	1.220	110	1.180	110	VHSC600/600
SP 3.300 L	2.210	1.610	2.390	600	1.450	110	1.400	180	VHSC600/600
SP 6.000 L	2.470	2.070	2.400	600	1.850	125	1.800	270	VHSC600/400

Dimensions in mm and informative, subject to alterations.

Risers installed with junction, standard lid included.



OPTIONS

Riser

Type	Height	Diameter	Weight
VHSC600/1200 riser in PE	1200	600	22

Lids



(*)

Type
Plastic Boralit pedestrian lid (class 15)*