



(1)

Septic tank RD. SP

RD. SP 1.000L
202,00 €

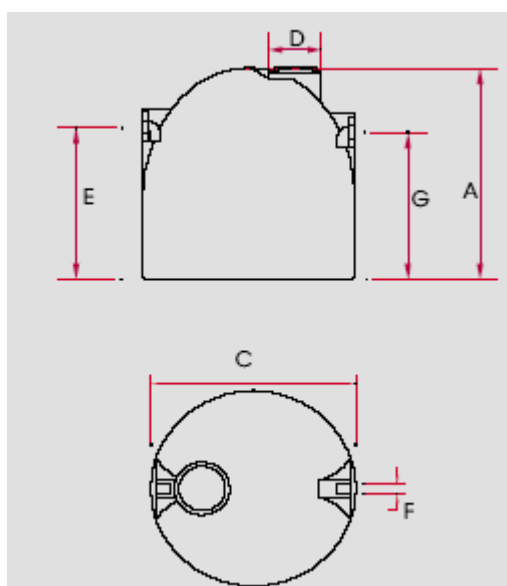
RD. SP 1.500L
283,00 €

RD. SP 2.000L
529,00 €

RD. SP 3.000L
704,00 €

RD. SP 5.000L
1.226,00 €

TECHNICAL DATA



VOLUME	A	C	D	E	F	G	Kg
SP 1.000 L	1.260	1.015	500	1.085	110	1.065	30
SP 1.500 L (1)	1.570	1.260	500	1.305	110	1.265	50
SP 2.000 L	1.510	1.700	500	1.305	110	1.225	80
SP 3.000 L	1.940	1.700	500	1.745	110	1.645	130
SP 5.000 L	1.970	2.100	500	1.562	125	1.522	200

Dimensions in mm and informative, subject to alterations.
Standard lid included.
IMPORTANT : To be placed in consolidated sand

OPTIONS

Risers with lids



Type	Height	Diameter	Weight
VHSP600/420 riser in PE	420	570	8

Dimensions in mm and informative, subject to alterations.

Type
KKD lid in PE
Plastic Boralit pedestrian lid (class 15)*