



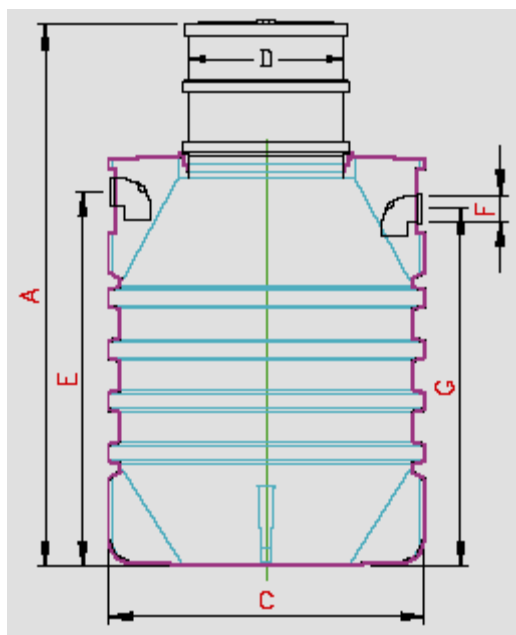
Septic tank VT. SP/RW

VT. SP 1.100L
392,00 €

VT. SP 1.600L
502,00 €



TECHNICAL FILE



Volume	A	C	D	E	F	G	Kg
SP 1.000 L	1.910	1.180	600	1.250	110	1.200	61
SP 1.600 L	2.250	1.290	600	1.500	110	1.450	71

Dimensions in mm and informative, subject to alterations.

Riser VHSC600/600 and PE-cover standard included.

OPTIONS

Riser

Type	Height	Diameter	Weight
VHSC600/1200 riser in PE	1200	600	22

Lids



(*)

Type
Plastic Boralit pedestrian lid (class 15)*