



Sludge trap VT/HZ SV

VT. SV 1100
718,00 €

VT. SV 1600
889,00 €

HZ. SV 2400
1.404,00 €

HZ. SV 3300
1.712,00 €

HZ. SV 6000
2.424,00 €



TECHNICAL FILE

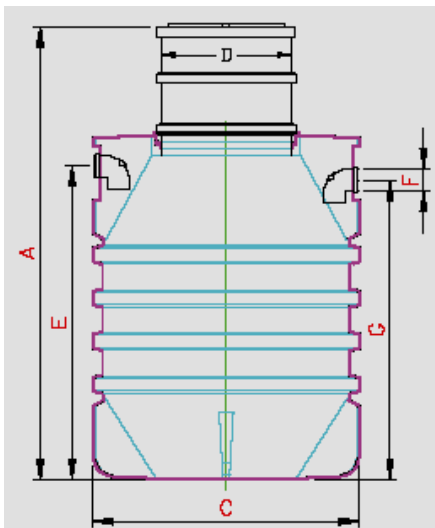


Figure 1 (VT. SV)

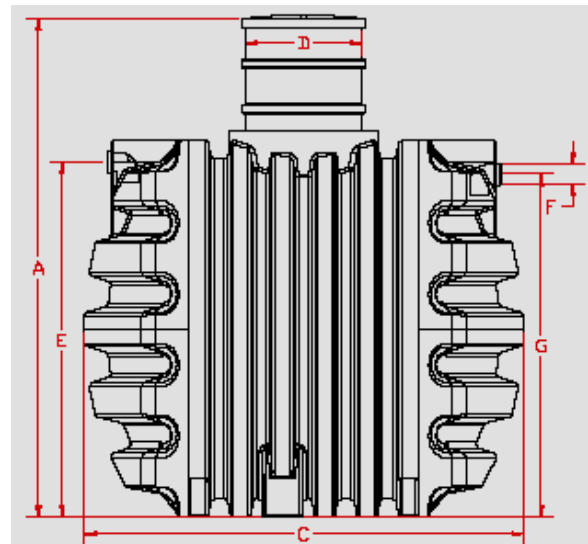


Figure 2 (HZ. SV)

Ref.	Image	Volume	Flow rate l/s	A Height	C Length	B Width	E H in	G H out	F Diameter pipe	Weight
SV 1100	1	1.100	1,5	1.910	1.180	1.180	1.250	1.200	110	61
SV 1600	1	1.600	3	1.200	1.290	1.290	1.500	1.450	110	71
SV 2400	2	2.400	8	1.850	2.350	1.350	1.220	1.180	125	110
SV 3300	2	3.300	15	2.210	2.390	1.610	1.450	1.400	160	180
SV 6000	2	6.000	20	2.470	2.400	2.070	1.850	1.800	200	270



Dimensions in mm and informative, subject to alterations.

Equipped with registry and reinforced adjustable riser of 600 mm.

Reinforced riser (welded for SV1100 and SV1600, rest of types installed with junction), standard lid included.

OPTIONS

Riser

Type	Height	Diameter	Weight
VHSC600/1200 riser in PE	1200	600	22

Dimensions in mm and informative, subject to alterations.

Lids



(*)

Type
Plastic Boralit pedestrian lid (class 15) *

