



Sludge trap EP. SV

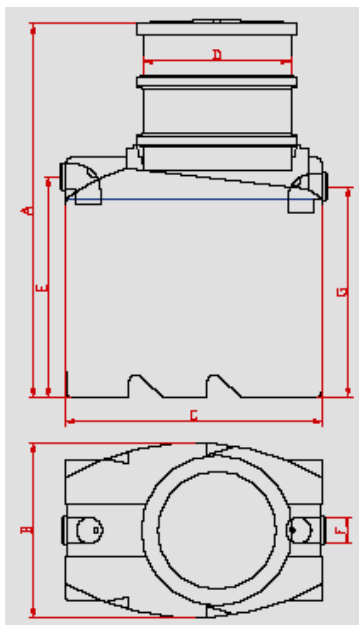
EP. SV 300
566,00 €

EP. SV 500
707,00 €

EP. SV 850
938,00 €

TECHNICAL FILE

Ref.	Image	Volume	Flow l/s	A Height	C Length	B Width	E Height in	G Height out	F In/out	Weight
SV 300	3	300	1.5	1.550	830	760	915	875	110	35
SV 500	3	500	3	1.550	1.100	760	915	875	110	55
SV 850	3	850	6	1.550	1.500	1.050	915	875	110	90



Dimensions in mm and informative, subject to alterations.

Equipped with a registry and an adjustable riser of 600mm installed with reinforced junction.

Standard lid included

IMPORTANT: To be placed in consolidated sand

Image 3 (EP. SV)

OPTIONS

Riser

Type	Height	Diameter	Weight
VHSC600/1200 riser in PE	1200	600	22

Dimensions in mm and informative, subject to alterations.

Lids



(*)

Type
Plastic Boralit pedestrian lid (class 15) *